

PRODUCT INFORMATION PACKET

Model No: 256TTDX7253
Catalog No: Y471
10,1800/900,DP,256T,3/60/460
Other Purpose



Regal and Marathon are trademarks of Regal Beloit Corporation or one of its affiliated companies.
©2018 Regal Beloit Corporation, All Rights Reserved. MC017097E





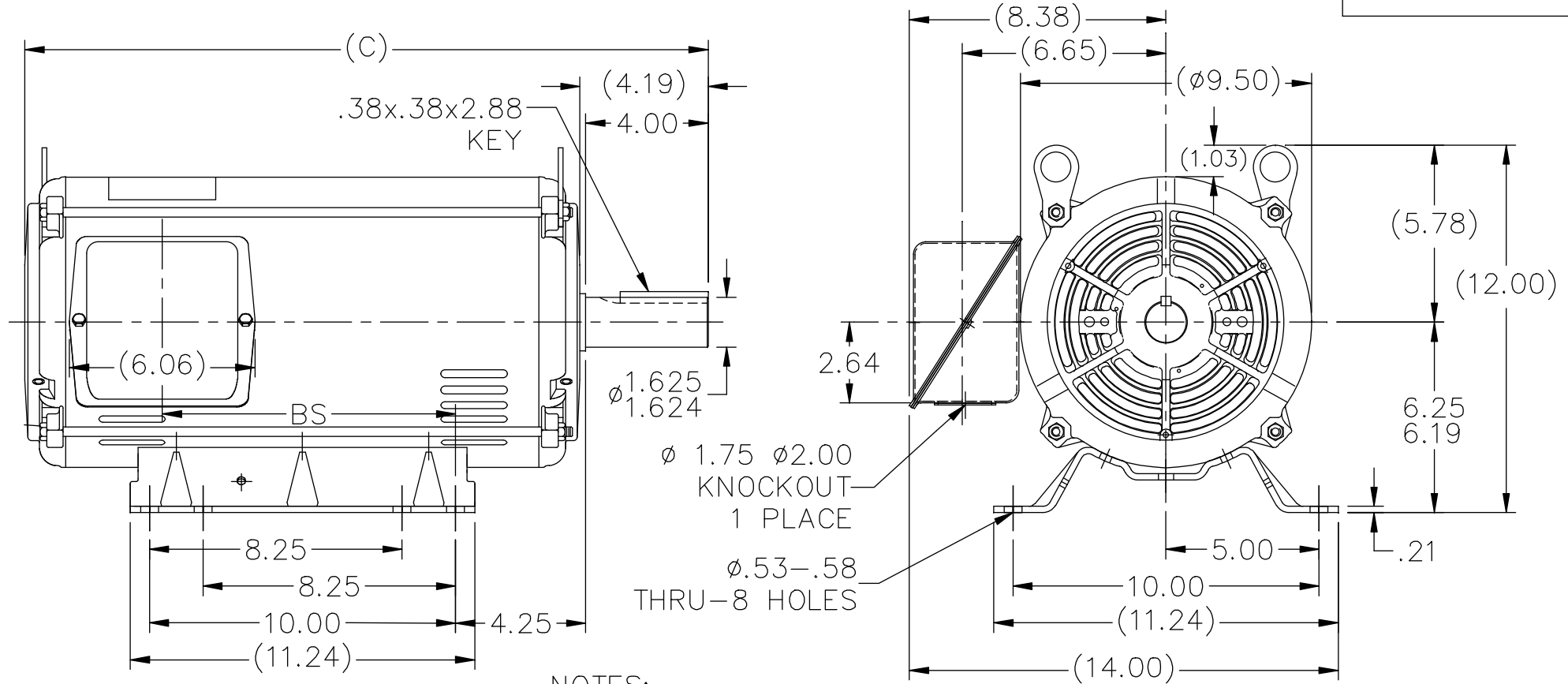
Nameplate Specifications

Output HP	10,2.50 Hp	Output KW	7.5 kW
Frequency	60 Hz	Voltage	460 V
Current	12.9,5.6 A	Speed	1760,880 rpm
Service Factor	1.15	Phase	3
Efficiency	86.5 %	Duty	Continuous
Insulation Class	B	Design Code	2VT
KVA Code	J	Frame	256T
Enclosure	Drip Proof	Overload Protector	No
Ambient Temperature	40 °C	Drive End Bearing Size	6309
Opp Drive End Bearing Size	6208	UL	Recognized
CSA	Y	CE	Y
IP Code	12		

Technical Specifications

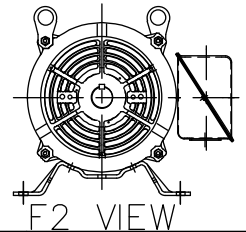
Electrical Type	Squirrel Cage Induction Run	Starting Method	Across The Line
Poles	4/8	Rotation	Reversible
Mounting	Rigid base	Motor Orientation	Horizontal
Drive End Bearing	Ball	Opp Drive End Bearing	Ball
Frame Material	Rolled Steel	Shaft Type	T
Overall Length	22.32 in	Frame Length	15.45 in
Shaft Diameter	1.625 in	Shaft Extension	4.19 in
Assembly/Box Mounting	F1/F2 Capable		
Outline Drawing	A-SS86503-1545	Connection Diagram	A-EE7317

This is an uncontrolled document once printed or downloaded and is subject to change without notice. Date Created: 06/29/2018



NOTES:

1. NAMEPLATE TO BE READ FROM C'BOX SIDE OF MOTOR.
2. BOX CAN BE MOUNTED IN 90° STEPS.
3. BOX CAN BE MOUNTED ON OPPOSITE SIDE BY REMOVING BRACKETS AND TURNING FRAME 180°. (EXCEPT AS NOTED.)
4. F2 MOUNT -USES 2ND HOLE ON 1370 FRAME.



DASH	FR.	C	BS	MOUNTING
1370	254T	20.57	7.68	F1 OR F2
1545	254T/256T	22.32	9.43	F1 OR F2

NO.	REVISION	BY & DATE	CHK	ANG	TOLERANCES UNLESS SPECIFIED
8	ADDED F2 VIEW	UD 11/13/13	GR		DEC. INCHES
7	UPDATED DRAWING	TJW 04/27/2007			
6	REDRAWN IN AUTOCAD	TAT 05-19-2005	ML	.X	±.1
5	UPDATED CONDUIT BOX CN 28427	TJB 01-31-2000		.XX	±.03
4	ADDED NOTE #4 FOR F2 MOUNT CN 24000-581	MH 06-10-1997		.XXX	±.005
3	DASH 1545 WAS FOR 256T FR. ONLY CN 18683	KL 09-12-1994		.XXXX	±.0005
					±7'30"



TITLE OUTLINE
250 FR. - BB - DR.PR.
MAT'L.
FINISH

DRAWN	SMC 04-22-1993
CHK	MOL 04-23-1993
APPD	DRN 09-13-1993
SCALE	1=5
REF	
FMF	
PREV	

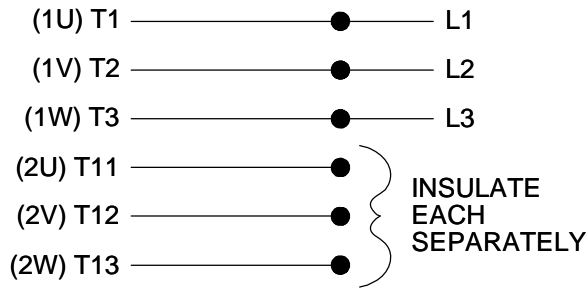
THIS DRAWING IN DESIGN AND DETAIL IS OUR PROPERTY AND MUST NOT BE USED EXCEPT IN CONNECTION WITH OUR WORK ALL RIGHTS OF DESIGN AND INVENTION ARE RESERVED THIS IS AN ELECTRONICALLY GENERATED DOCUMENT - DO NOT SCALE THIS PRINT

RFP
DIST LB

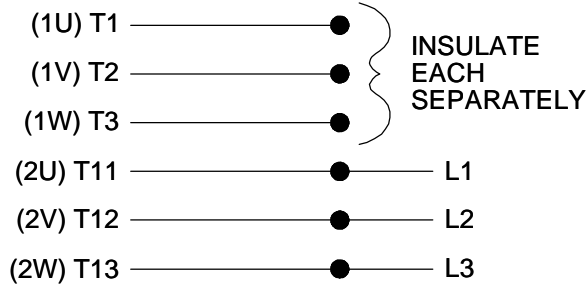
CAD FILE ss86503
SIZE A

DRAWING NO. PAGE OF
SS86503 8

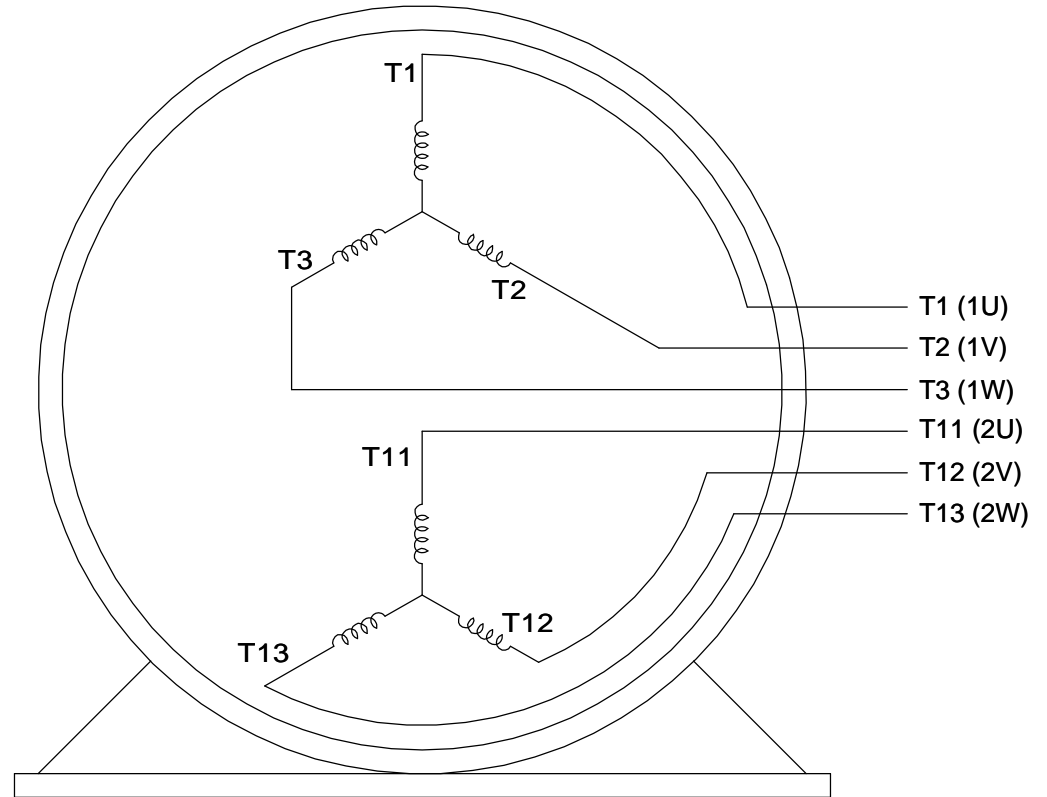
LOW SPEED



HIGHSPEED



**THREE PHASE, SINGLE VOLT, 6 LEAD
2 SPEED REVERSIBLE MOTOR**



VIEW OF TERMINAL END

TO REVERSE ROTATION ON
EITHER SPEED: INTERCHANGE
ANY 2 LEADS ON THE
WINDING IN USE.

DRAWING REVISION C	REVISION BY JJB	DATE 10-25-2017		DRAWN BY LZ	Regal Beloit America, Inc.
ECO ECO-0132917	APPROVED BY TLB	DATE 10-30-2017		DATE 01-05-1994	
ECO DESCRIPTION REVISED PER ECO & UPDATED TO STANDARDS				APPROVED BY GK	DESCRIPTION CONN DIAGRAM-INTERNAL
<small>COPYRIGHT REGAL BELOIT AMERICA, INC. ALL RIGHTS RESERVED. PROPRIETARY AND CONFIDENTIAL INFORMATION - THIS DOCUMENT IS THE PROPERTY OF REGAL BELOIT AMERICA, INC. ("OWNER") AND CONTAINS OWNER'S PROPRIETARY INFORMATION. ANY PERSON, CORPORATION OR OTHER FIRM RECEIVING IT IS DEEMED, BY RECEIVING IT, TO AGREE THAT IT, AND/OR ANY PART OF IT, SHALL NOT BE DISCLOSED TO ANY PERSON, CORPORATION OR OTHER ENTITY, DUPLICATED, AND/OR USED, EXCEPT AS EXPRESSLY APPROVED IN WRITING IN ADVANCE BY OWNER. THIS DOCUMENT SHALL BE RETURNED TO OWNER UPON REQUEST. IT MAY BE SUBJECT TO CERTAIN RESTRICTIONS UNDER APPLICABLE EXPORT CONTROL LAWS AND REGULATIONS.</small>				DATE 01-17-1994	3 PHASE - SINGLE - 2 SPEED REVERSIBLE
			REFERENCE	MATERIAL	PROCESS/FINISH
			THIRD ANGLE PROJECTION	SIZE A	DRAWING NUMBER EE7317

